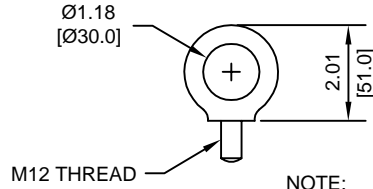
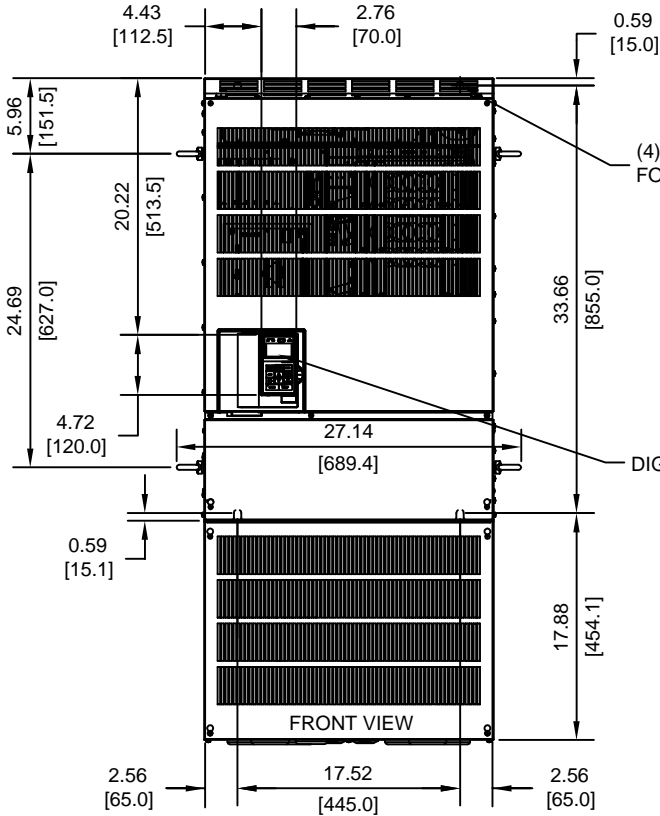


(2) EXTERNAL COOLING FANS

LIFTING AND EYEBOLT DETAILS



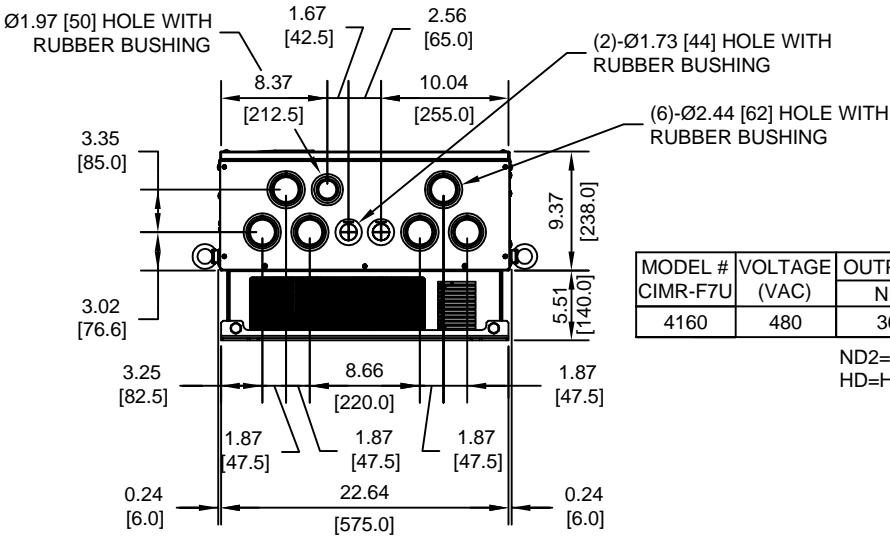
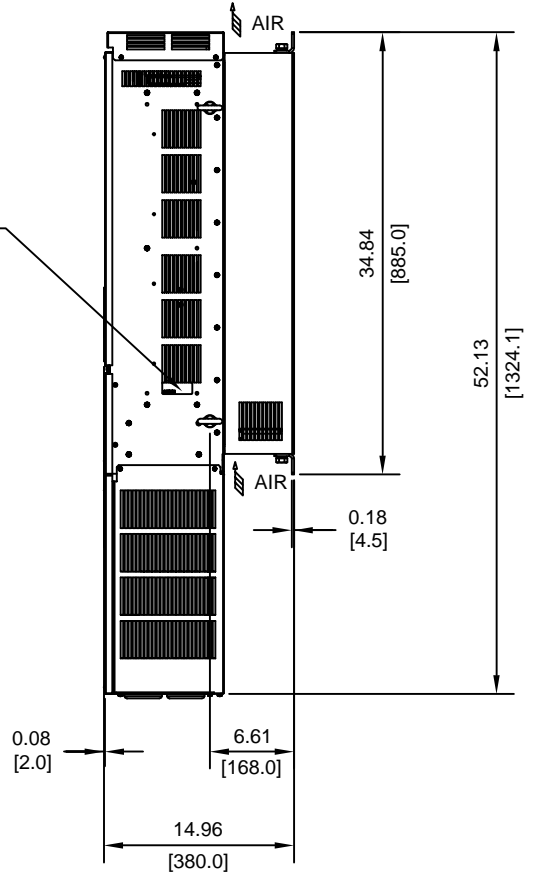
NOTE:
SPREADER BAR REQUIRED TO AVOID DAMAGE DURING LIFTING



(4)-MOUNTING HOLES FOR 1/2" [M12] SCREWS

NAMEPLATE

DIGITAL OPERATOR



MODEL #	VOLTAGE (VAC)	OUTPUT CURRENT (A)		WEIGHT LBS (Kg)	HEAT LOSS (W)		
		ND2	HD		INT	EXT	TOTAL
CIMR-F7U	480	304	304	374 (170)	1144	2791	3935

ND2=NORMAL DUTY 2
HD=HEAVY DUTY

INT=INTERNAL COMPONENTS
EXT=EXTERNAL HEATSINK

FOR ADDITIONAL DETAILS AND SPECIFICATIONS, CONSULT MANUAL

TOLERANCES/REFERENCES:

UNITS: IN[mm] SCALE: 1:15

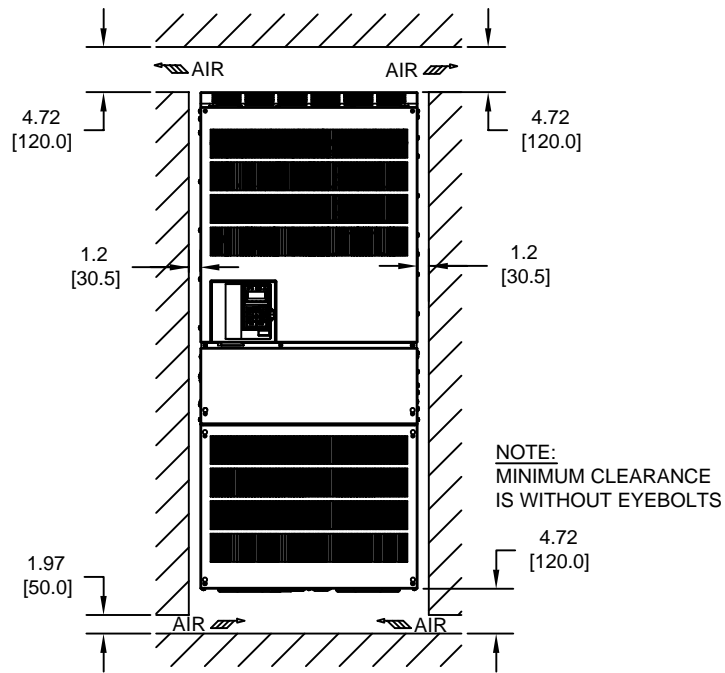
YASKAWA
A World of Automation Solutions™

YASKAWA ELECTRIC AMERICA, INC.
Corporate Headquarters
2121 Norman Drive South
Waukegan, IL 60085
1-800-YASKAWA
http://www.yaskawa.com

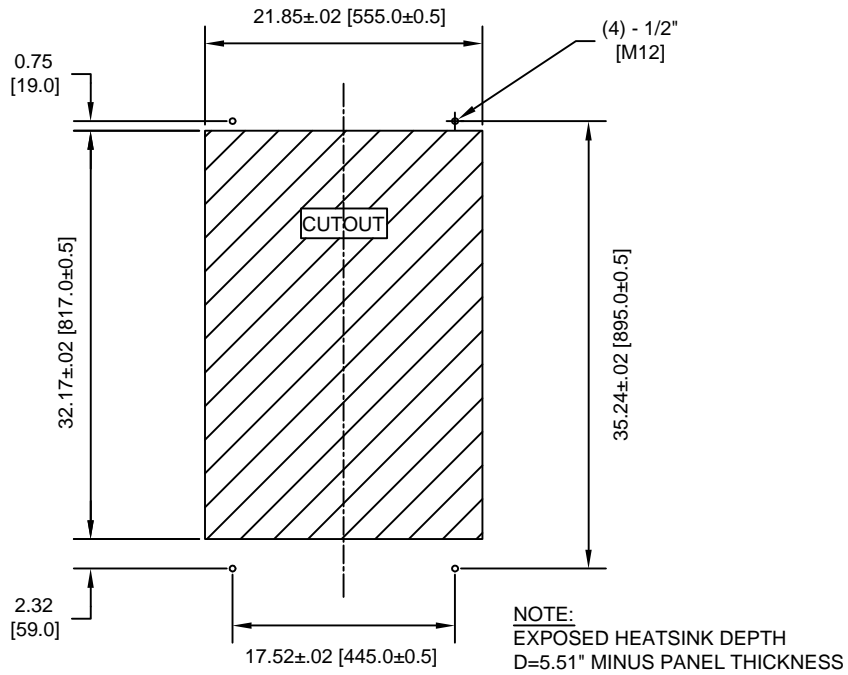
DRAWN:	J. MATTAS	DATE:	6-26-03
CHECKED:	M. RUCINSKI	DATE:	7-2-03
TECH:	J. CAIRO	DATE:	6-30-03
APPROVED:	T. SASADA	DATE:	7-7-03
ORIGINAL DESIGN:	-	DATE:	-

TITLE:		
F7 DIMENSION DRAWING		
FRAME SIZE 13		
NEMA TYPE 1/IP20 ENCLOSURE		
F7U4160		
SIZE	REVISION	PAGE
A	R01	1 of 3
DRAWING #:		
DD.F7.FR13.N1.01		


MINIMUM INSTALLATION CLEARANCES (SCALE 1:20)



PANEL CUTOUT FOR EXTERNAL HEATSINK MOUNTING CONFIGURATION (SCALE 1:15)



FOR ADDITIONAL DETAILS AND SPECIFICATIONS, CONSULT MANUAL

TOLERANCES/REFERENCES: - - - - - -		 YASKAWA <i>A World of Automation Solutions™</i> YASKAWA ELECTRIC AMERICA, INC. Corporate Headquarters 2121 Norman Drive South Waukegan, IL 60085 1-800-YASKAWA http://www.yaskawa.com	DRAWN: J. MATTAS	DATE: 6-26-03	TITLE: F7 DIMENSION DRAWING		
UNITS: IN[mm]	SCALE: BY VIEW		CHECKED: M. RUCINSKI	DATE: 7-2-03	FRAME SIZE 13		
		TECH: J. CAIRO	DATE: 6-30-03	NEMA TYPE 1/IP20 ENCLOSURE			
		APPROVED: T. SASADA	DATE: 7-7-03	SIZE: A	REVISION: R01	PAGE: 3 of 3	
		ORIGINAL DESIGN: -	DATE: -	DRAWING #: DD.F7.FR13.N1.01			